

GQ-155SC

V1.02
2011. 1

1	5
1.1	5
1.2	5
2	7
2.1	7
2.2	7
2.3 155SC	8
2.4 E1	9
2.4.1 CLIU4/8 E1	9
2.4.2 CLIUB4/8-B	9
3	10
4	12
4.1	12
4.2	14
5	16
5.1	16
5.2	16
5.2.1 1+1	16
5.2.2 1+0	18
5.3	18
5.4 ALS	20
5.5 RPD	21
5.6	21
5.7 VLAN	22
5.7.1 VLAN	22
5.7.1.1 VLAN	24
5.7.1.2	26
5.7.1.3	27
5.7.2 802.1 Q VLAN	28
5.7.2.1 802.1Q VLAN	29
5.7.2.2 802.1Q VLAN	30
5.7.2.3	30
5.8 GFP-F	32
5.9 VCAT & LCAS	33
5.10	34
5.10.1	34
5.10.2	34
5.10.3	35
5.10.4 SSM	35
5.10.5	36
5.11	36
5.12	37
5.12.1	37
5.12.2	38
5.13	40

5.13.1	SDH	40
5.13.2	E1	41
5.13.2.1		41
5.13.2.2		42
5.14		43
5.15		47
6		49
7		49
	CONSOLE	52
E1		53
		54

- 4 WAN WAN VCG VCG
- 48 VC12(100Mbps) 4 VCG 63 VC12
- 4 LAN 4 WAN IEEE802.3/802.3u
-
- VLAN IEEE 802.1Q VLAN
- GFP-F ITU-TG.7041
- VCAT LCAS ITU-T G.707 G.7042
- VC12 VC-12 112ms
- LCAS LCAS
-
- ITU-T G.813
- STM-1 T1 T12
- SSM
-
- 1+1 50ms
-
-
- FTP
-
- CONSOLE EMU RJ45
- DCC DCN
- TELNET CLI CLI
- SNMP_V1 SNMP_V2 C/S RAYVIEW
- -48V ~220V 15W

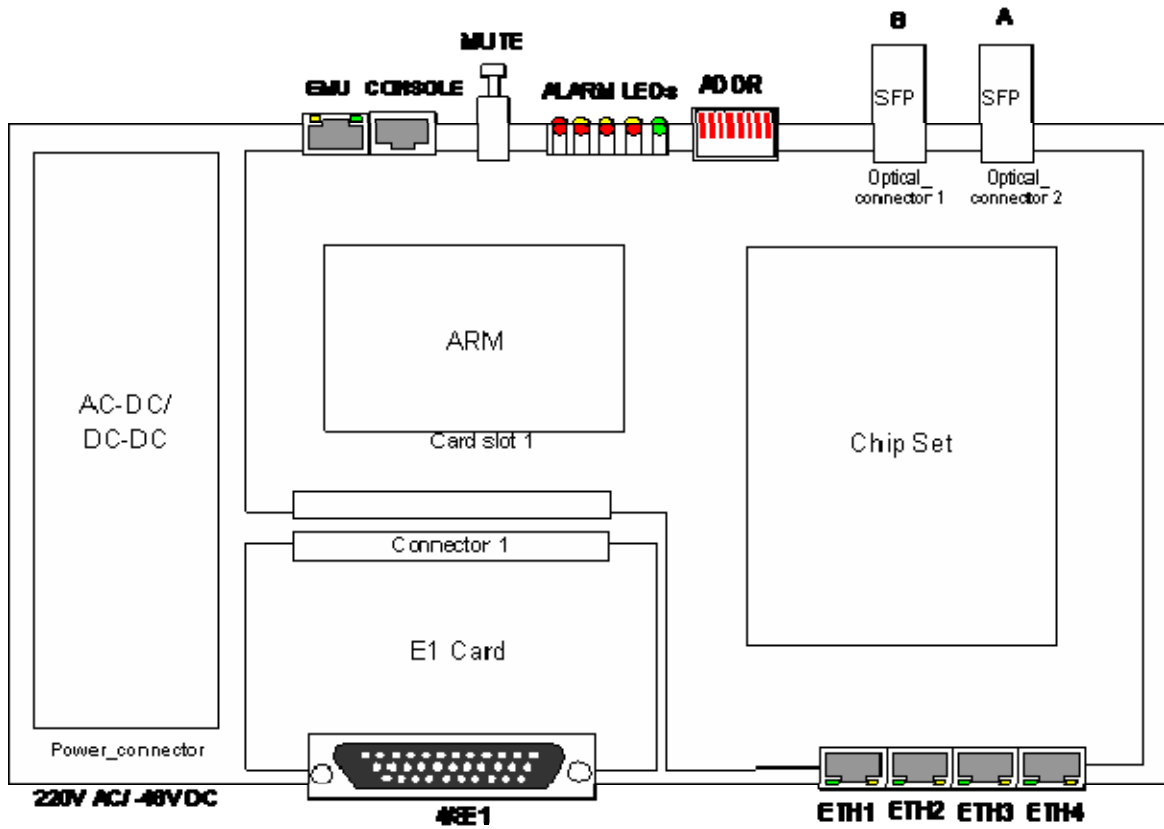
2

2.1

155SC

E1

2-1



2-1

2.2

2-2

	155SC		1U	270mm 195mm
	155SC		STM-1 EOS	
ARM	CARMJ			
E1	CLIU8	DB37F-BNC-8E1	8	E1 BNC

	CLIU4	DB37F-BNC-4E1	4	E1	
				BNC	
	CLIUB8-B	-	8	E1	RJ48C
	CLIUB4-B	-	4	E1	RJ48C
SFP		1310nm 15Km 1310nm 40Km 1550nm 80Km		SFP	
	-48V DC 220V AC		-48V DC 220V AC	5.45V 5.45V	DC-DC AC-DC

1 ' ' ,

2 E1 ' 2.4 E1 ' ,

3 SFP DDM SFP

DDM

2.3 155SC

2-3

Card_slot1	CARMJ
Connector 1	E1
Optical_connector 1	SFP
Optical_connector 2	SFP
Power_connector	DC-DC -48VDC -48VDC AC-DC 220VAC 220VAC

1.

2. SFP

2.4 E1

155SC			E1		4	8	E1
4 E1	CLIU4	CLIU8	CLIUB4-B	CLIUB8-B			

2.4.1 CLIU4/8 E1

CLIU4/8 E1	4/8	E1	2.048 Mb/s,	ITU-T G.703
	DB37		4/8E1	

DB37F-BNC-4/8E1

2.4.2 CLIUB4/8-B

CLIUB4/8-B E1	4/8	E1	2.048 Mb/s,	ITU-T G.703
	RJ45	RJ45		

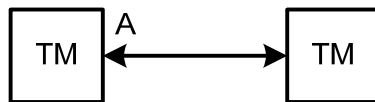
E1 E1

3

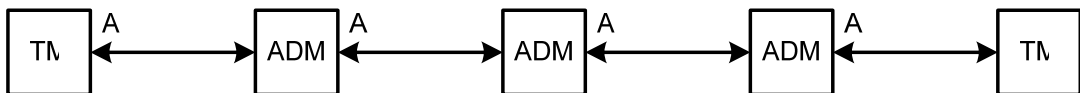
155SC
3-1 155SC
4/8 E1 1-4 STM-1 155SC
HUB100-2D HUB



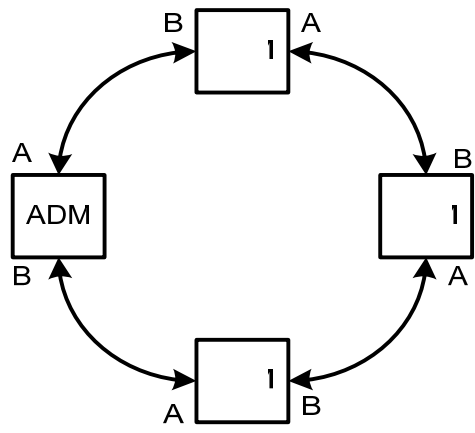
3-1
155SC TM ADM
1 1



3-2



3-3



3-4

A

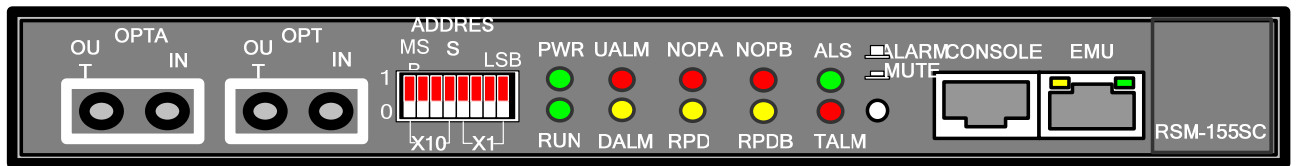
B

4

4.1

155SC

4-1



4-1

4-1-1

MUTE	ON OFF
ADDRESS	<p>“5~8” “00” “98” 4 “1~4” 4</p> <p>10 BCD ON 0 OFF</p> <p>10011000 98</p>

4-1-2

PWR	
RUN	0.3 0.1

	ARM	FLASH	1
	/		
UALM	5-14-1	UALM	
	5-14-1	UALM	UALM
DALM	5-14-1	DALM	
	5-14-1	DALM	DALM
NOPA/B	SFP		
	SFP	SFP	
	NOP		
	1.	ALS	
		NOP	ALS
		100s	ALS
		12.5s	
	2. NOP		SFP
		NOP	
RPDA/B		A/B	
	1.	NOP	" 5.5
	RPD	"	
	2. RPD		SFP
		RPD	
TALM	E1	TLOS	
		1 E1	TLOS
	E1	TLOS	E1 E1
	E1		
ALS	ALS		
	A B	ALS	

	A B ALS			
	A B ALS			
			ALS	ALS

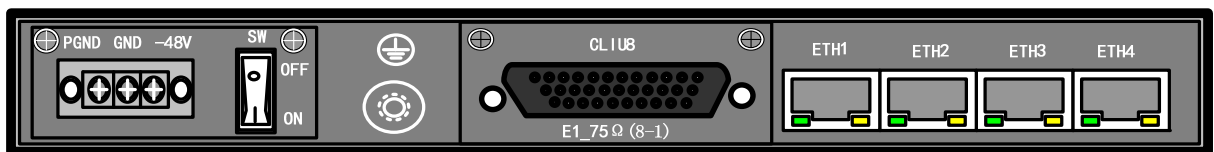
4-1-3 EMU

LINK/ACTIVE	
SPEED	100M 10M

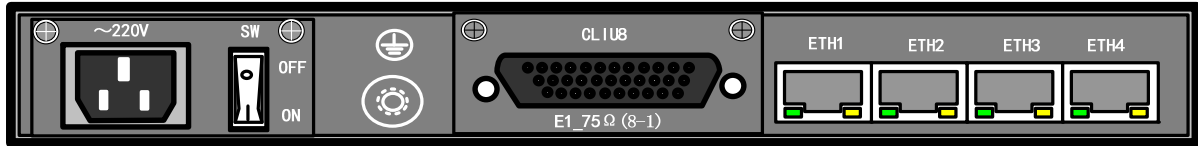
4-1-4

OPTA/B	STM-1 A B STM-1 SFP	()
CONSOLE	RJ45	CLI
EMU	RJ45	SDH CAT-5

4.2




4-2-1



4-2-2

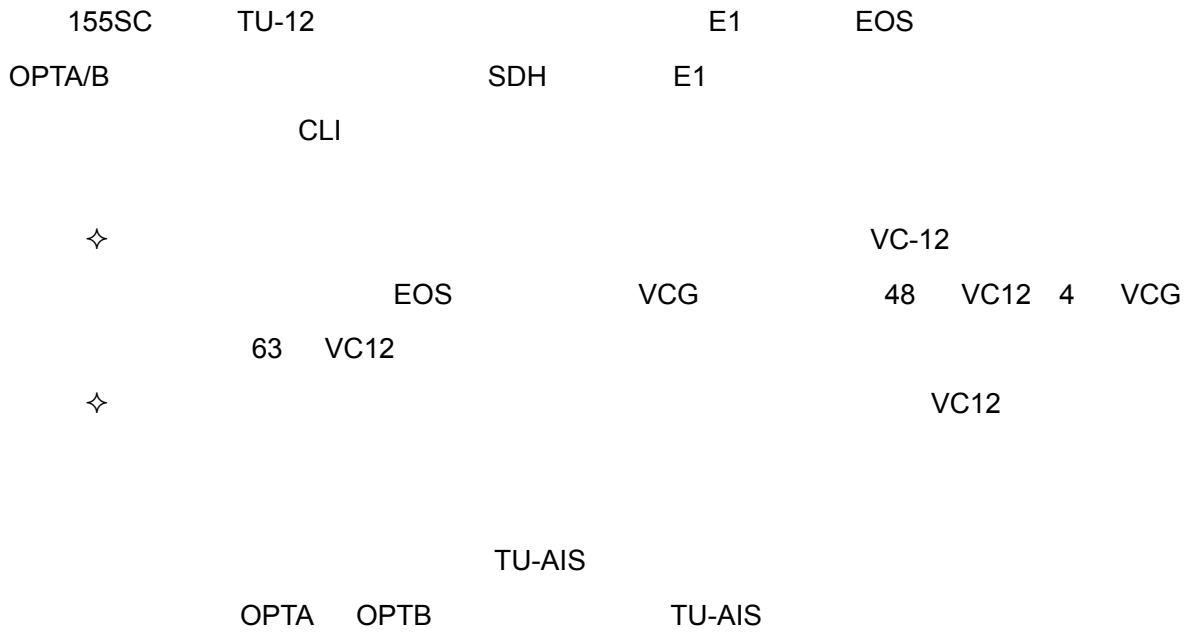
2

4-2

	<p>DC-DC</p> <p>4-2-1</p> <p>~220V</p> <p>4-2-2</p>	<p>-48V</p> <p>AC-DC</p>
(SW)	<p>" I " ON,</p> <p>" O " : OFF,</p>	<p>AC-DC</p> <p>~220V</p> <p>DC-DC</p> <p>-48V</p>
E1	<p>CLIU8/4 E1 , E1</p> <p>8/4E1 E1 , :DB37</p> <p>CLIUB8/4-B, E1</p> <p>8/4E1 E1 , :RJ45</p> <p>E1 , E1</p>	<p>E1</p> <p>DB37F-BNC-8E1/4E1</p>
	<p>4 RJ45</p> <p>5.6 " "</p>	
	<p>PGND</p> <p>PGND</p>	

5

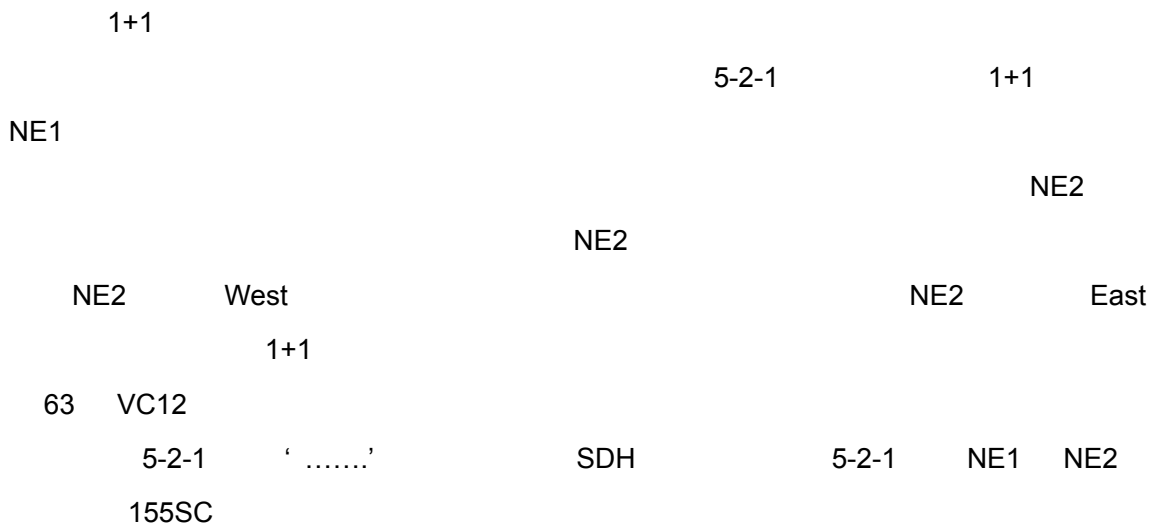
5.1

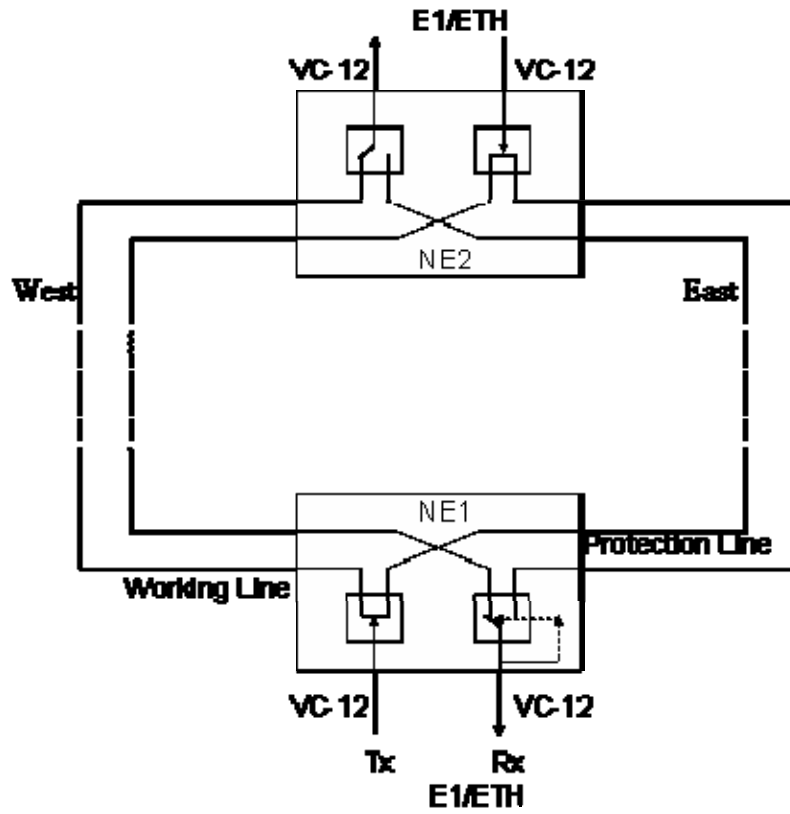


5.2



5.2.1 1+1





5-2-1 1+1

1+1



TU-AIS TU-LOP

TU-AIS TU-LOP

RS-TIM MS-EXC HP-EXC HP-DEG HP-TIM HP-UNEQ HP-PLM

HP-AIS

A

B



155SC

A

B



A/B

A/B

A

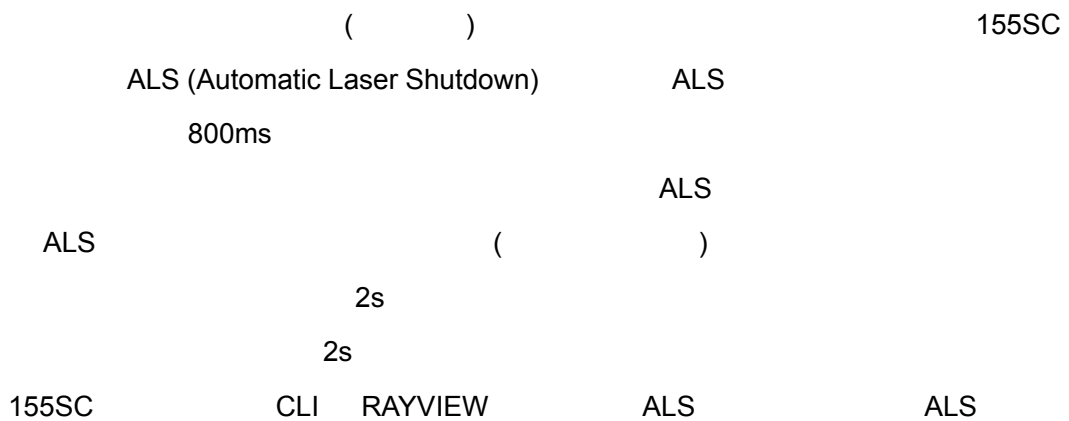
A



TUG3	TUG2	TU12			
1	1	1	1	1	1
2	1	1	22	2	22
3	1	1	43	3	43
1	2	1	2	4	4
2	2	1	23	5	25
3	2	1	44	6	46
1	3	1	3	7	7
2	3	1	24	8	28
3	3	1	45	9	49
1	4	1	4	10	10
2	4	1	25	11	31
3	4	1	46	12	52
1	5	1	5	13	13
2	5	1	26	14	34
3	5	1	47	15	55
1	6	1	6	16	16
2	6	1	27	17	37
3	6	1	48	18	58
1	7	1	7	19	19
2	7	1	28	20	40
3	7	1	49	21	61
1	1	2	8	22	2
2	1	2	29	23	23
3	1	2	50	24	44
1	2	2	9	25	5
2	2	2	30	26	26
3	2	2	51	27	47
1	3	2	10	28	8
2	3	2	31	29	29
3	3	2	52	30	50
1	4	2	11	31	11
2	4	2	32	32	32
3	4	2	53	33	53
1	5	2	12	34	14
2	5	2	33	35	35
3	5	2	54	36	56
1	6	2	13	37	17

2	6	2	34	38	38
3	6	2	55	39	59
1	7	2	14	40	20
2	7	2	35	41	41
3	7	2	56	42	62
1	1	3	15	43	3
2	1	3	36	44	24
3	1	3	57	45	45
1	2	3	16	46	6
2	2	3	37	47	27
3	2	3	58	48	48
1	3	3	17	49	9
2	3	3	38	50	30
3	3	3	59	51	51
1	4	3	18	52	12
2	4	3	39	53	33
3	4	3	60	54	54
1	5	3	19	55	15
2	5	3	40	56	36
3	5	3	61	57	57
1	6	3	20	58	18
2	6	3	41	59	39
3	6	3	62	60	60
1	7	3	21	61	21
2	7	3	42	62	42
3	7	3	63	63	63

5.4 ALS



ALS

RAYVIEW

Guide to CLI command of 155SC

```

1  ALS                                ALS
      ALS                                ALS
2                                ALS
    
```

5.5 RPD

155SC

NOP RPD 5-5

5-5 RPD NOP

A B	A B	A B
A B		
RPDA B		
NOPA B		

5.6

```

155SC 4 IEEE802.3/802.3u LAN LAN
      100M 100M 10M 10M
      100M 100M 10M 10M
    
```

LAN

```

155SC 4 IEEE802.3/802.3u WAN
WAN 100M VCG VCG 48
    
```

```

VC12(100Mbps) 4 VCG 63 VC12
    
```

155SC 1536/1552

1552

155SC MAC

- MAC 12s
- MAC 300s
- MAC MAC

5.7 VLAN

5.7.1

VLAN

VLAN

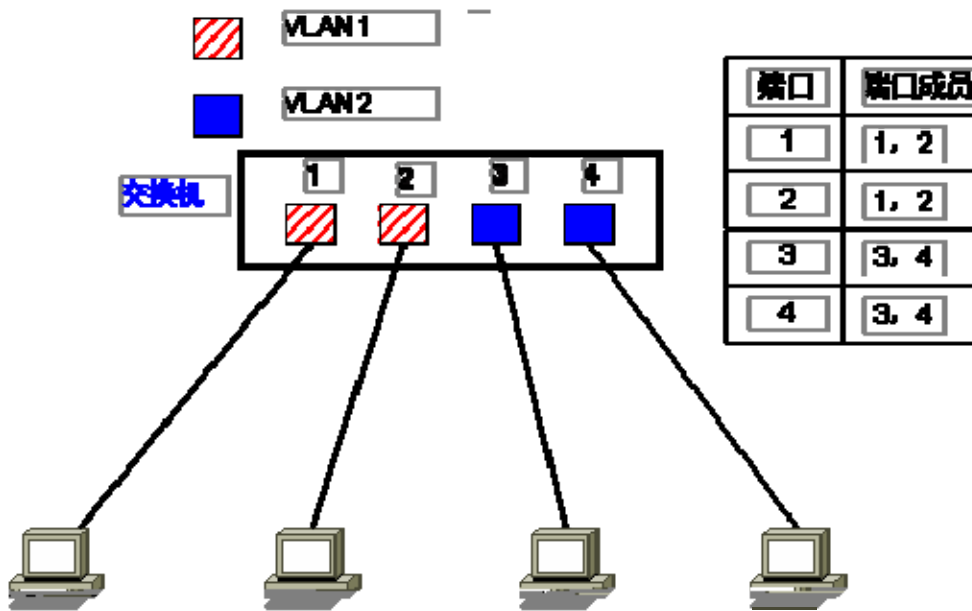
VLAN

VLAN

VLAN

VLAN

5-7-1-1



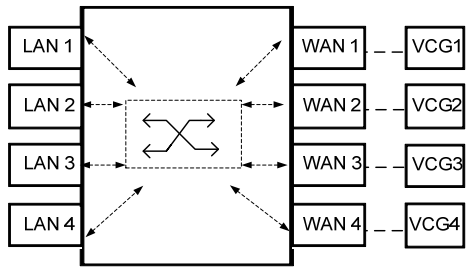
5-7-1-1

VLAN

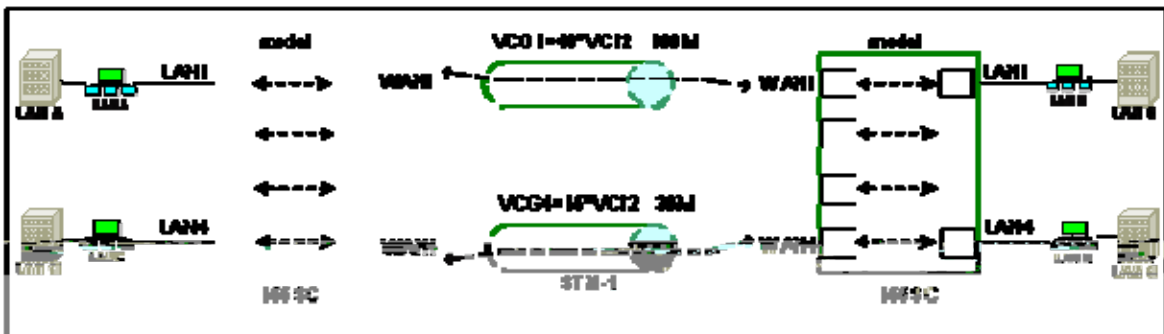
5-7-1-1 1 4 VLAN 155SC 8 4
LAN 4 WAN VLAN VLAN
RAYVIEW CLI VLAN WAN
WAN VCG VLAN 8
RAYVIEW 5 VLAN 5-7-1
mode1 RAYVIEW
CLI 5-7-1 CLI Guide
to CLI command of 155SC

5-7-1 VLAN

<p>Mode 1</p>		<pre>Device>disvlan Device>setporttable 1 1,5 Device>setporttable 2 2,6 Device>setporttable 3 3,7 Device>setporttable 4 4,8 Device>setporttable 5 1,5 Device>setporttable 6 2,6 Device>setporttable 7 3,7 Device>setporttable 8 4,8</pre> <p>1: LAN1; 2: LAN2; 3: LAN3; 4: LAN4 5: WAN1; 6: WAN2; 7: WAN3 8: WAN4</p>
<p>Mode 2</p>		<pre>Device>disvlan Device>setporttable 1 1,5,6,7,8 Device>setporttable 5 1,5 Device>setporttable 6 1,6 Device>setporttable 7 1,7 Device>setporttable 8 1,8</pre>
<p>Mode 3</p>		<pre>Device>disvlan Device>setporttable 5 1,2,3,4,5 Device>setporttable 1 1,5 Device>setporttable 2 2,5 Device>setporttable 3 3,5 Device>setporttable 4 4,5</pre>
<p>Mode 4</p>		<pre>Device>disvlan Device>setporttable 1 1,2,3,4,5,6,7,8 Device>setporttable 5 1,5 Device>setporttable 6 1,6 Device>setporttable 7 1,7 Device>setporttable 8 1,8 Device>setporttable 2 1,2 Device>setporttable 3 1,3 Device>setporttable 4 1,4</pre> <p style="text-align: center;">RAYVIEW</p> <pre>mode4 CLI mode4 CLI mode4 CLI</pre>

Mode 5		<pre>Device>disvlan Device>setporttable 1 1,2,3,4,5,6,7,8 Device>setporttable 2 1,2,3,4,5,6,7,8 Device>setporttable 3 1,2,3,4,5,6,7,8 Device>setporttable 4 1,2,3,4,5,6,7,8 Device>setporttable 5 1,2,3,4,5,6,7,8 Device>setporttable 6 1,2,3,4,5,6,7,8 Device>setporttable 7 1,2,3,4,5,6,7,8 Device>setporttable 8 1,2,3,4,5,6,7,8</pre>
--------	---	--

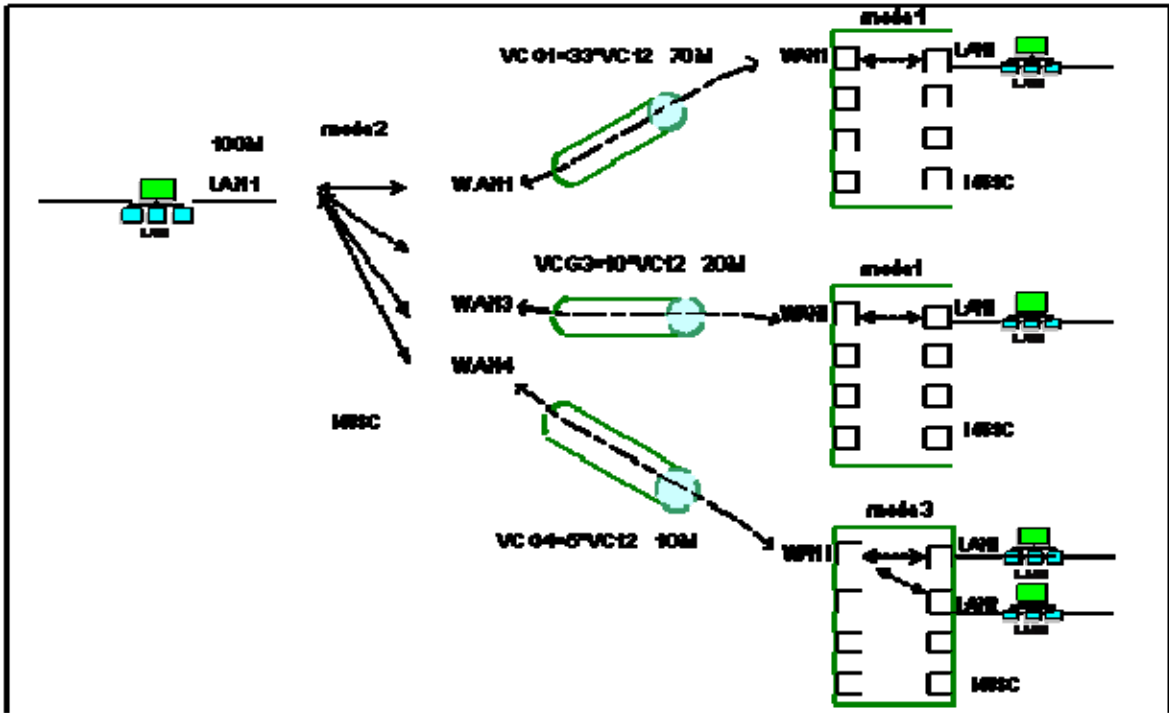
5.7.1.1 VLAN



5-7-1-1-1 VLAN

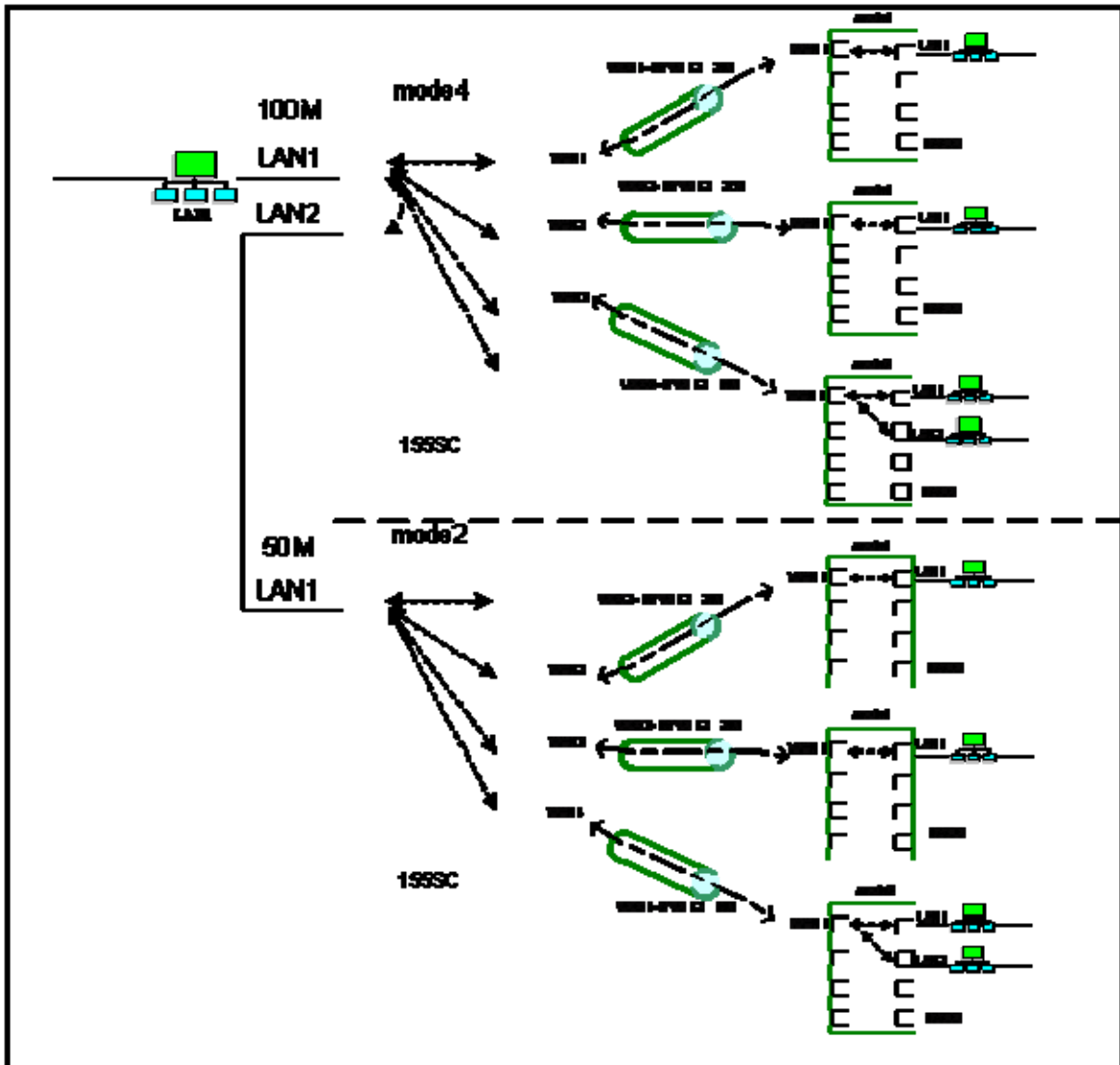
155SC

155SC



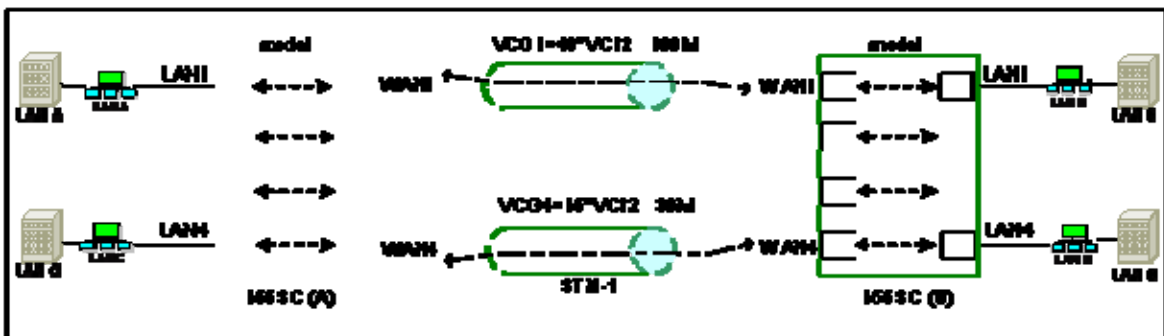
5-7-1-1-2

VLAN



5-7-1-1-3 VLAN

5.7.1.2



5-7-1-2-1 VLAN

5-7-1-2-1

155SC A 155SC B

VLAN

VCG

LAN A<----->LAN B
LAN C<----->LAN D

802.1Q VLAN

155SC A 5-7-1-2-1

5-7-1-2-1

port	Port Member
LAN1	LAN1 WAN1
LAN4	LAN4 WAN4
WAN1	LAN1 WAN1
WAN4	LAN4 WAN4

RAYVIEW

LAN

WAN

mode1

155SC B

5-7-1-2-1

VLAN

WAN1

VCG1

48

VC12

WAN4

VCG4

15

VC12

-----Config finish-----

VLAN

VLAN ID

VLAN

' Hybrid'

5.7.1.3

VLAN

mode2

mode4

mode5

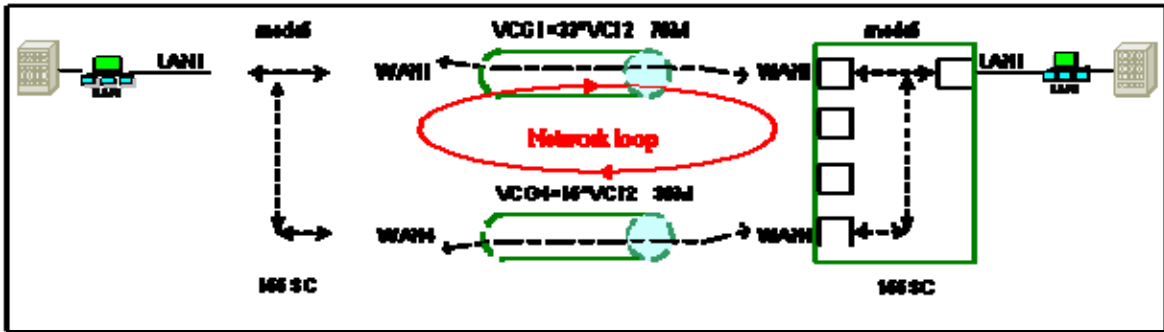
5-7-1-3-1

mode5

mode2

mode2

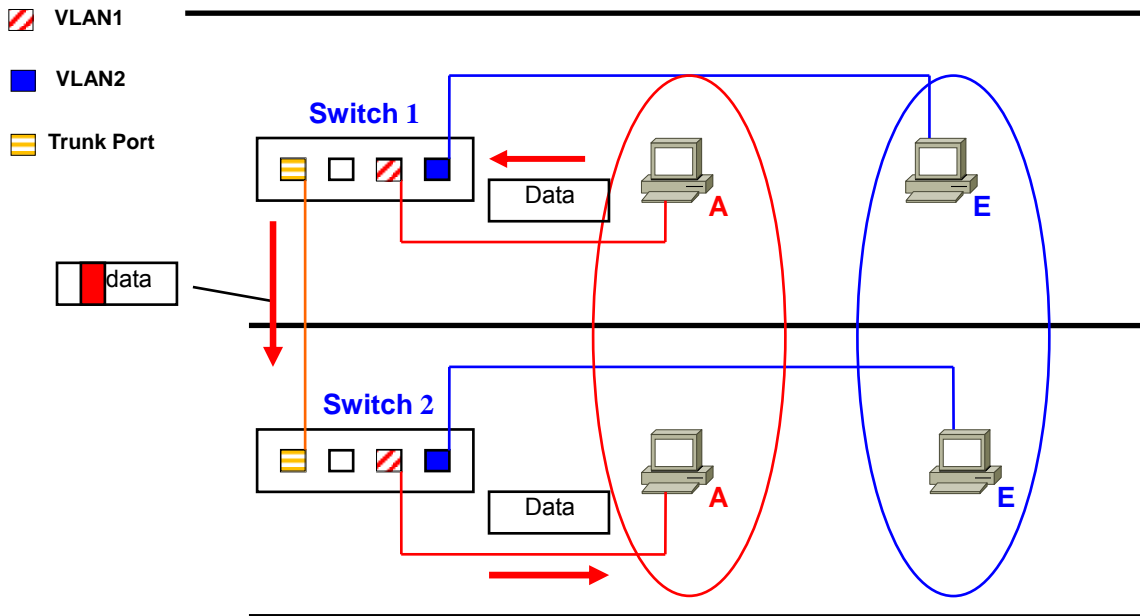
mode5



5-7-1-3-1

5.7.2 802.1Q VLAN

802.1Q VLAN VLAN VLAN
 VLAN ID VLAN
 802.1Q VLAN VLAN
 VLAN 5-7-2-1



5-7-2-1 802.1Q VLAN

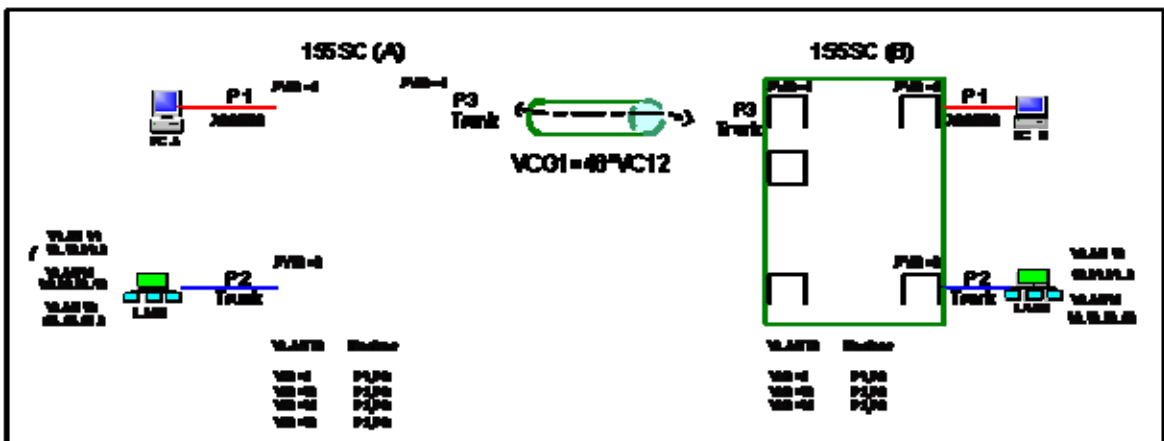
155SC IEEE802.1Q VLAN
 VLAN VLAN VLAN ID (VID) VID
 VLAN ID RAYVIEW CLI
 802.1Q VLAN RAYVIEW Guide to CLI
 command of 155SC

	tag	tag	
--	-----	-----	--

5.7.2.2 802.1Q VLAN

802.1Q VLAN VLAN

5.7.2.3



5-7-2-3-1 802.1Q VLAN

5-7-2-3-1 P1 PC P2

VCG

PC_A<----->PC_B

LAN1(VLAN11,VLAN12)<----->LAN2(VLAN11,VLAN12)

1 5-7-2-3-1 P1 LAN1 P2 LAN4 P3

WAN1

2 155SC A P2 3 VLAN: VLAN11, VLAN12 VLAN13 155SC

B P2 VLAN11 VLAN12 3 VLAN

A

802.1Q VLAN

VLAN

VLAN ID	VLAN members
2	P1 P3
11	P2 P3
12	P2 P3
13	P2 P3

Port	Mode
P1	Access
P2	Trunk
P3	Trunk

PVID

port	VLAN_ID PVID	priority
P1	2	0 (default)
P2	3	0 (default)
P3	4	0 (default)

port	Port members
P1	P1 P3
P2	P2 P3
P3	P1 P2, P3

B

802.1Q

VLAN

VLAN

VLAN ID	VLAN members
2	P1 P3
11	P2 P3
12	P2 P3

Port	Mode
P1	Access

P2	Trunk
P3	Trunk

PVID

port	VLAN_ID	PVID	priority
P1	2		0 (default)
P2	3		0 (default)
P3	4		0 (default)

port	Port members
P1	P1 P3
P2	P2 P3
P3	P1 P2, P3

VLAN

P3 VCG1 48 VC12

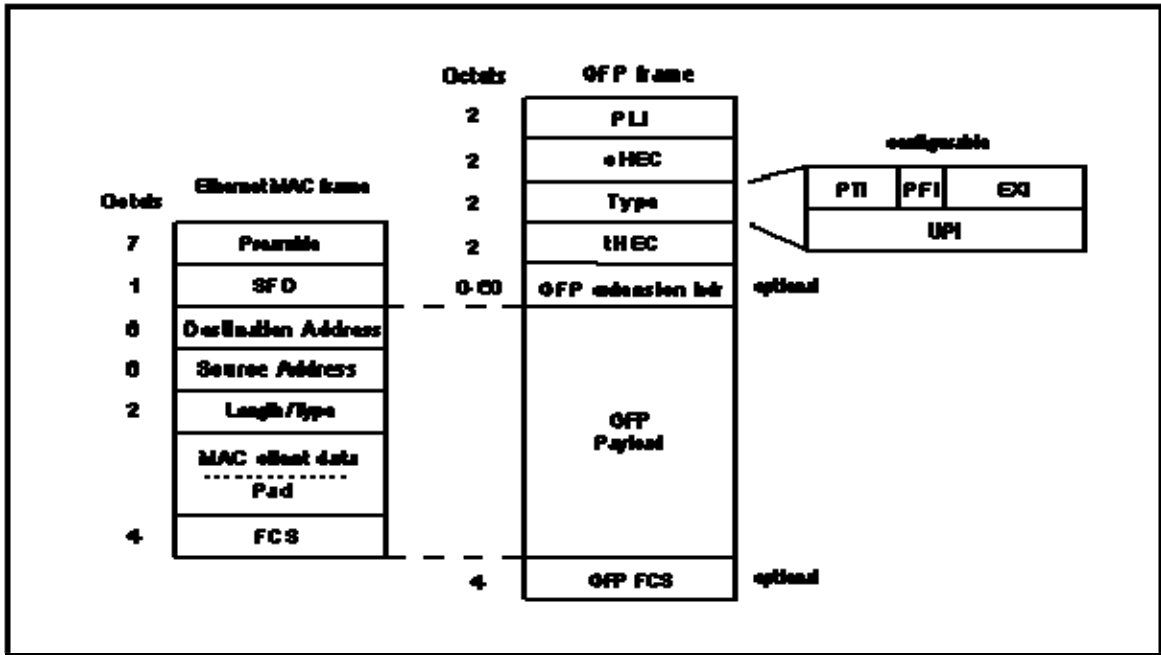
-----Config finish-----

5.8 GFP-F

GFP-F(Frame-mapped Generic Framing Procedure) ITU-T G.7041

ITU-T G.707 8bit 5-8-1

(() GFP GFP FCS
 (GFP FCS) GFP (GFP extension hdr) (Type)



5-8-1 GFP

155SC

GFP

- PFI Payload FCS Indicator FCS FCS
- PFI FCS
- PFI FCS
- PFI
- EXI Extension Header Identifier
- Null header linear header

RAYVIEW

LCAS

I

II

TU-LOP

TU-AIS

III

IV

LCAS

V5(b5~b7) K4_B1

(TSL

VCG

,V5 b5 b7

K4_B1

(ESL)

V5

0A

K4_B1

0D

V5 K4_B1

(PLM)

V5

0x0A

K4_B1

0x0D.

RAYVIEW

Guide to CLI command of 155SC

5.10

5.10.1

155SC

- STM-1 A T11
- STM-1 B T12
- ITU-TG.813

5.10.2

ITU-TG.813 G.783

:

:

: >32

:

<32

24

5.10.3

SSM

4	0100	2
8	1000	3
11	1011	SDH (SETS)
15	1111	
Others	----	

1

2 SSM SSM

5.10.5

155SC

CLI

SSM

RAYVIEW

Guide to CLI command of 155SC

LOCAL

T11

A

T12

B

SSM

5.11

155SC

5-11-1

A/B

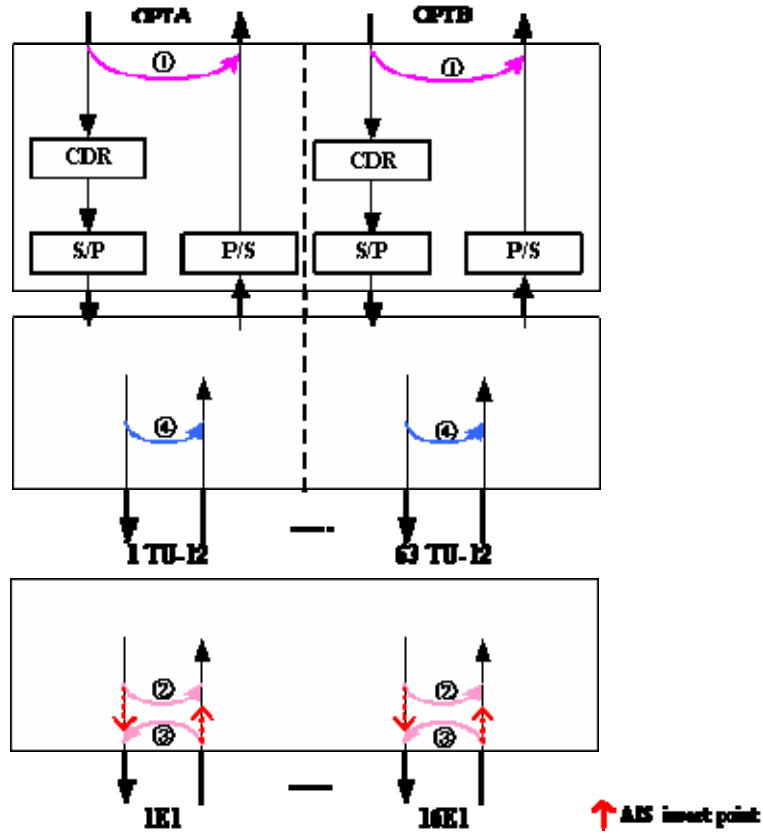
E1

AIS

E1

AIS

: TU-12



5-11-1

TU12

CLI

E1

CLI

RAYVIEW

Guide to CLI command of 155SC

,E1 TU-12

E1 TU-12

5.12

155SC

5.12.1

➤ 2^{15} 1 2.048Mb/s

➤ E1

➤

5.12.2

$$\left(\begin{matrix} E1_1 & E1_8 \end{matrix} \right) \begin{matrix} 2^{15} & 1 \\ 2^{15} & 1 \end{matrix}$$

5-12-2 155SC

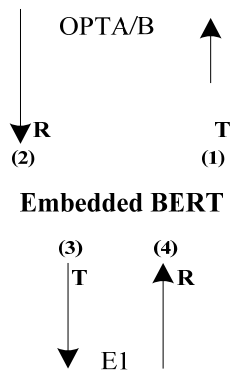
3

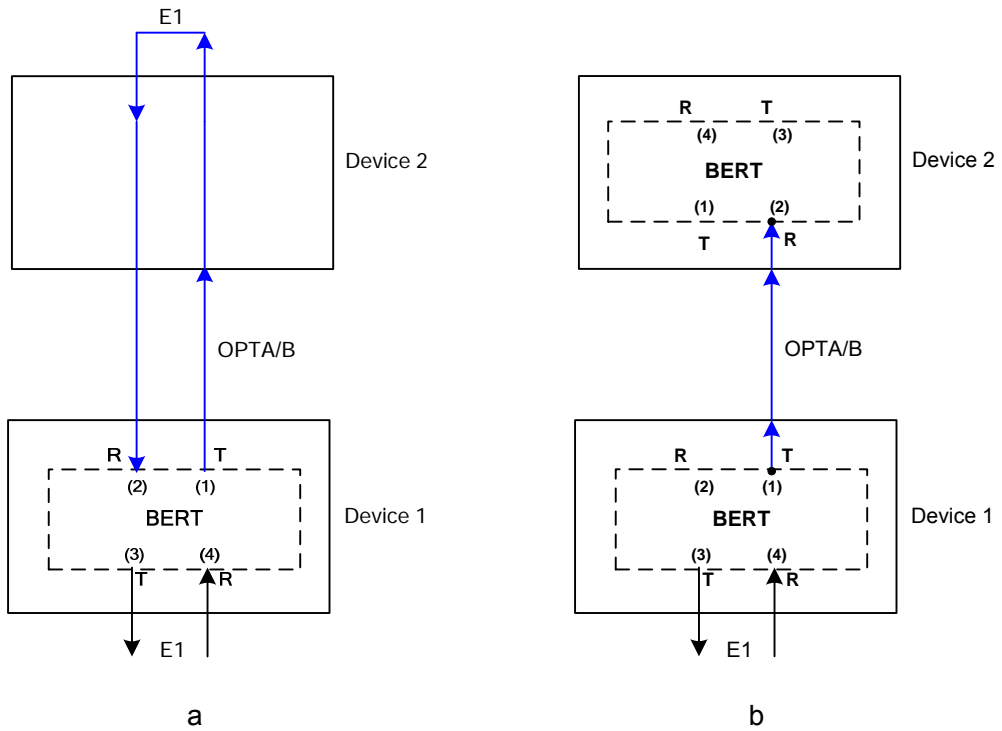
2 E1

1 E1

4 a

5-12-2-1 b !



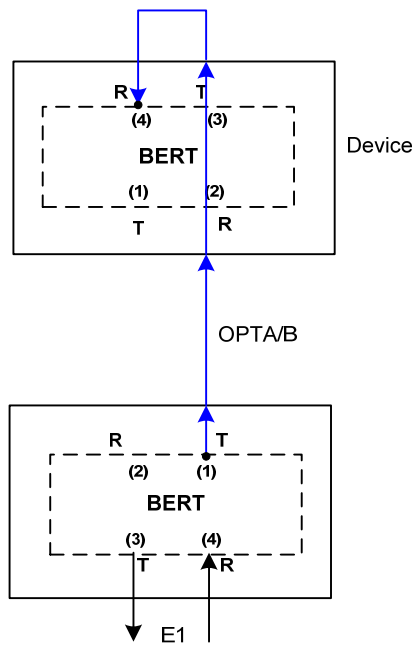


5-12-2-1

1

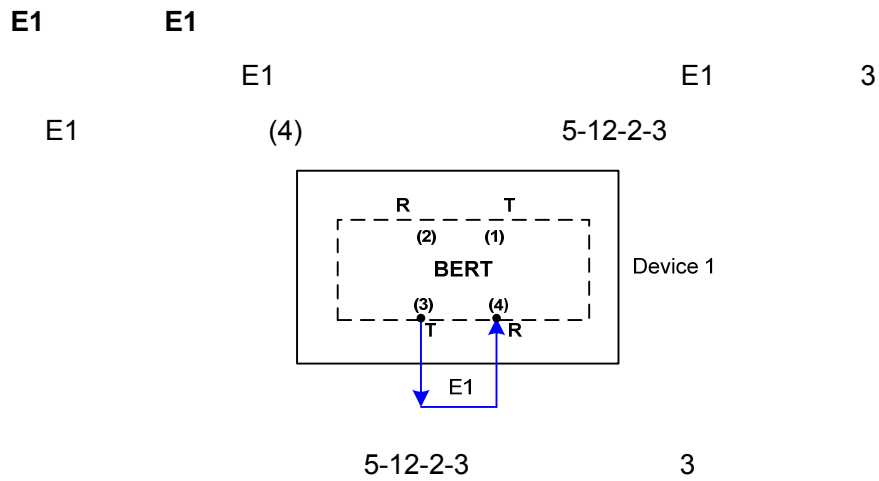
E1

E1	E1	1	1	2	VC12
				2	5-12-2-2



5-12-2-2

2



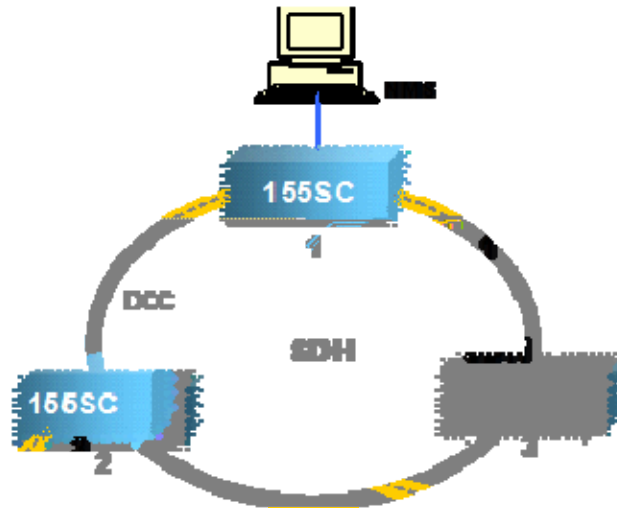
: E1 ,E1 , E1 ,
 LOS , E1 LOS .
 155SC CLI RAYVIEW
 RAYVIEW Guide to CLI command of 155SC

5.13

(D1 ~ D3 D6 ~ D8) 155SC SDH
 G.704 E1

5.13.1 SDH

SDH DCC
 D1 D2 D3 D6 D7 D8
 5-13-1 NMS 1 SDH



5-13-1 SDH

A-B

B-A

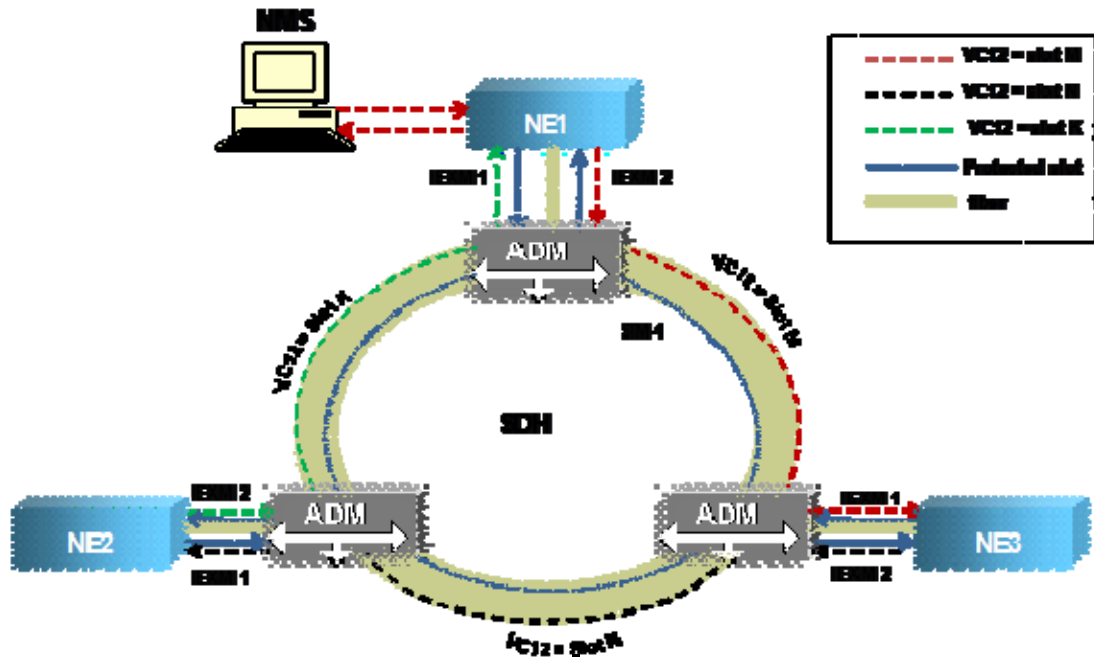
A-A B-B

5.13.2 E1

155SC		IEXM1	IEXM2	G.704	
IEXM1	IEXM2			CLI	RAYVIEW
Guide to CLI command of 155SC .					
E1		IEXM1/2		STM-1	TU-12
G.704		E1		DCC	

5.13.2.1

5-13-2-1		155SC		NE	(
A B)		ADM		SDH	CLI
RAYVIEW					STM-1
VC-12		E1		E1	
		SDH			155SC
		155SC		IEXM	
155SC	IEXM1	IEXM2		VC-12	SlotM N K
				155SC	
IEXM		SlotM N K			



5-13-2-1

a

b NE1

c 155SC

DCC

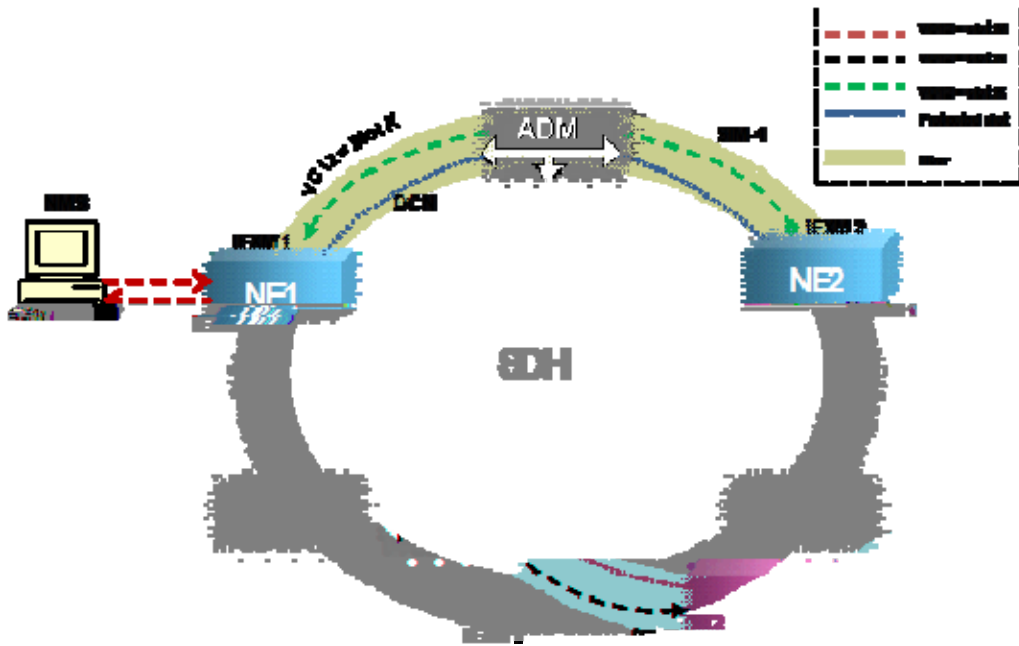
ADM

d

		155SC	IEXM1	IEXM2		VC-12
	155SC	IEXM1	IEXM2		;	NE1 IEXM1
NE2	IEXM2	A	1	NE1 IEXM2		NE3 IEXM1
A	2	NE2 IEXM1	NE3 IEXM2	A		3

5.13.2.2

5-13-2-2	155SC	NE	A	B
	ADM	SDH	CLI	RAYVIEW
			STM-1	VC-12
E1		E1		
	155SC	IEXM1	IEXM2	VC-12
155SC		1+0	slot M, slot N	Slot k
SDH				155SC
E1	VC-12	1+0		155SC



5-13-2-2

a	NE	A		NE	B		NE1	A	NE2
	B		NE1	B	NE2	A			
b									
c	NE1								
d	155SC		DCC					ADM	
e			155SC	IEXM1	IEXM2			VC-12	
			155SC	IEXM1	IEXM2				
		1+0	NE1	IEXM1		A	1	IEXM2	
B	1	NE2	IEXM1	A	1	IEXM2	B	1	NE3
		A	1	IEXM2	B	1			

5.14

155SC

5-14-1

5-14-1

NOP			UALM
*TF			UALM
*TD			UALM
*RPL			DALM
*RPH			UALM
*LPL			DALM
*LTH			DALM
RS A/B			
OOF			UALM
LOF	STM-1		UALM
RS-TIM			DALM
MS A/B			
MS-RDI			DALM
MS-EXC			UALM
MS-DEG			DALM
MS-AIS	AIS		DALM
AU-LOP	AU		UALM
AU-AIS	AU AIS		DALM
HOPL A/B			
HP-UNEQ			UALM
HP-TIM			UALM
HP-PLM			UALM
HP-RDI			DALM
HP-EXC			UALM
HP-DEG			DALM
HP-AIS	AIS		DALM
TU-LOM			UALM
Drop1/Drop2			
TU-LOP	TU		UALM
TU-AIS	TU		UALM
LP-RDI			UALM
LP-PLM			UALM
LP-UNEQ			UALM
EOS	EOS E1		E1

LP-AIS	AIS		DALM
K4B1-LOM	K4B1		DALM
K4B1-PLM	K4B1		UALM
LTI			UALM
TIMEDeg			UALM
SSMBMismatch			UALM
E1 (E1_1~8)			

TLOS

E1 UALM

SFP

DDM

155SC

GFP

5-14-2 5-14-3

5-14-4

5-14-2

(RS)		
EB		ITU-T G.826 G.784
ES		ITU-T G.826 G.784
SEC		ITU-T G.826 G.784
UAS		ITU-T G.826 G.784
(MS)		
EB		ITU-T G.826 G.784
ES		ITU-T G.826 G.784
SEC		ITU-T G.826 G.784
UAS		ITU-T G.826 G.784
EB		ITU-T G.826 G.784
ES		ITU-T G.826 G.784
SEC		ITU-T G.826 G.784
UAS		ITU-T G.826 G.784
HP		
EB		ITU-T G.826 G.784
ES		ITU-T G.826 G.784
SEC		ITU-T G.826 G.784
UAS		ITU-T G.826 G.784
EB		ITU-T G.826 G.784
ES		ITU-T G.826 G.784
SEC		ITU-T G.826 G.784
UAS		ITU-T G.826 G.784
PJP	AU	ITU-T G.826 G.784
PJN	AU	ITU-T G.826 G.784

LP		
EB		ITU-T G.826 G.784
ES		ITU-T G.826 G.784
SEC		ITU-T G.826 G.784
UAS		ITU-T G.826 G.784
EB		ITU-T G.826 G.784
ES		ITU-T G.826 G.784
SEC		ITU-T G.826 G.784
UAS		ITU-T G.826 G.784
PJP	TU	ITU-T G.826 G.784
PJN	TU	ITU-T G.826 G.784
CV	E1	

5-14-3

	RX Byte Count	
	RX Packet Count	
	TX Byte Count	
	TX Packet Count	
	Drop packet Count	

5-15-1

			CLI		RayView
			Telnet	CONSOLE	
1	MAC			/	
2	IP	192.168.0.155		/	/
3		255.255.255.0		/	/
4		192.168.0.1		/	/
5	TRAP IP	127.0.0.1		/	/
6	Telnet	user user		/	

6

I

II

✓

✓

SDH

✓

CONSOLE

EMU

III

✓

OFF

✓

PGND

✓

a

SFP

b

A

B

c

(

)

7

7-1

	(nm)	(bps)	(dBm)	()	(dBm)	Km		
RTXM139-400	1310FP	155M	-15~-8	-10~70	<-23	15	DDM	S-1.1
RTXM140-400	1310 FP	155M	-5~0	-10~70	<-34	40	DDM	L-1.1
RTXM140-500	1550 DFB	155M	-5~0	-10~70	<-34	80	DDM	L-1.2

1. <-8dBm

2. 7-1

7-2 E1

	2.048Mb/s±50ppm
	HDB3
	75Ω 120Ω
	ITU-T G.703 G.704 G.823

7-3

	RJ-45
	10/100Mb/s
	/
VLAN	
	IEEE802.3 10Base-T IEEE802.3u 100Base-Tx

7-4

EMU

	100Mb/s
	RJ45

7-5

CONSOLE

	19200
	8
	1
	EIA-RS232
	RJ45

7-6

DC	-36 -72V DC
AC	176 264V AC
	15W

7-7

	270mm×44mm×195mm × ×
	1.6kg

7-8

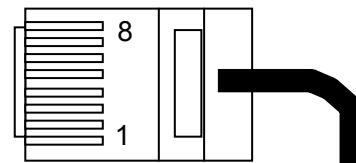
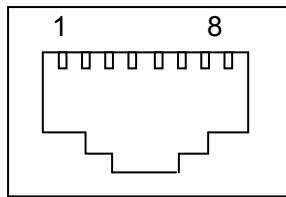
	-5 50
	-40 70
	≤95

CONSOLE

A-1 (RJ45)

PIN1	-	
PIN2	-	
PIN3	-	
PIN4	-	
PIN5	-	
PIN6	GND	
PIN7	RSNM-IN	RS232
PIN8	RSNM-OUT	RS232

PC RJ45 A-1-1 A-1-2 CONSOLE DB9

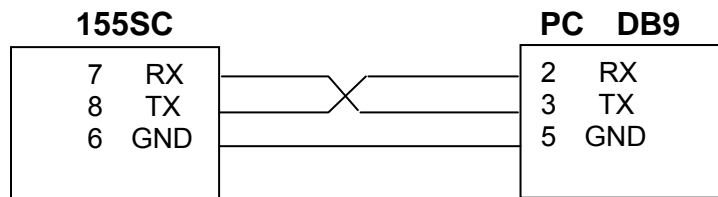


7:

8

6

A-1-1



A-1-2

E1

E1 DB37 A-2-1 4E1 75Ω
 DB37F-BNC-4E1 A-2-2 8E1 75Ω DB37F-BNC-8E1 .



A-2-1 75Ω

4E1



A-2-2 75Ω

8E1

E1 RJ45 A-2
 A-2 120Ω E1 RJ45

PIN1	RXD+	E1	P
PIN2	RXD-	E1	N
PIN3	-		
PIN4	TXD+	E1	P
PIN5	TXD-	E1	N
PIN6	-		
PIN7	-		
PIN8	-		

A-3 155SC

1	RAYVIEW	
2	Guide to CLI command of 155SC	
3	155SC	

2-1	-----	7
3-1	-----	10
3-2	-----	10
3-3	-----	10
3-4	-----	11
4-1	-----	12
5-2-1 1+1	-----	17
5-2-2 1+0 mode	-----	18
5-7-1-1-1	VLAN -----	24
5-7-1-1-2	VLAN -----	25
5-7-1-1-3	VLAN -----	26
5-7-1-2-1	VLAN -----	26
5-7-1-3-1	-----	28
5-7-2-3-1	802.1Q VLAN -----	30
5-11-1	-----	37
5-12-2 BERT	-----	38
5-12-2-1	1 -----	39
5-12-2-2	2 -----	39
5-13-1	SDH -----	41
5-13-2-1	-----	42
5-13-2-2	-----	43
A-1-1	-----	52
A-1-2	-----	52

2-2	-----	7
2-3	-----	8
4-1-1	-----	12
4-1-2	-----	12
4-1-3 EMU	-----	14
4-1-4	-----	14
4-2	-----	15
5-5 RPD NOP	-----	21
5-7-1 VLAN	-----	22
5-10-4-1 SSM	-----	35
5-14-1	-----	43
5-14-2	-----	46
5-14-3	-----	47
5-15-1	-----	48
7-1	-----	50
7-2 E1	-----	50
7-3	-----	50
7-4	EMU -----	50
7-5	CONSOLE -----	51
7-6	-----	51
7-7	-----	51
7-8	-----	51
A-1	(RJ45) -----	52
A-2 120Ω E1	RJ45 -----	53
A-3 155SC	-----	54